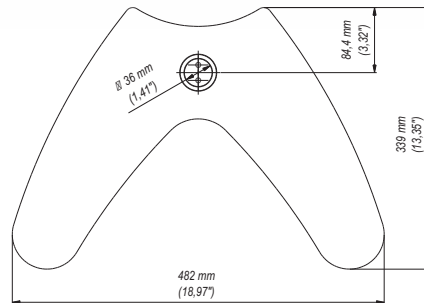




Technical Data



40 Kg



Accessories

Series SV



Trade Information

Index	Colour	Package	EAN
SVA01c-B	■	■	5908252961887
SVA01s-B	■	■	5908252961139

Package Dimensions [mm] (H x W x D)	480x400x70
Weight [Kg]	4,8